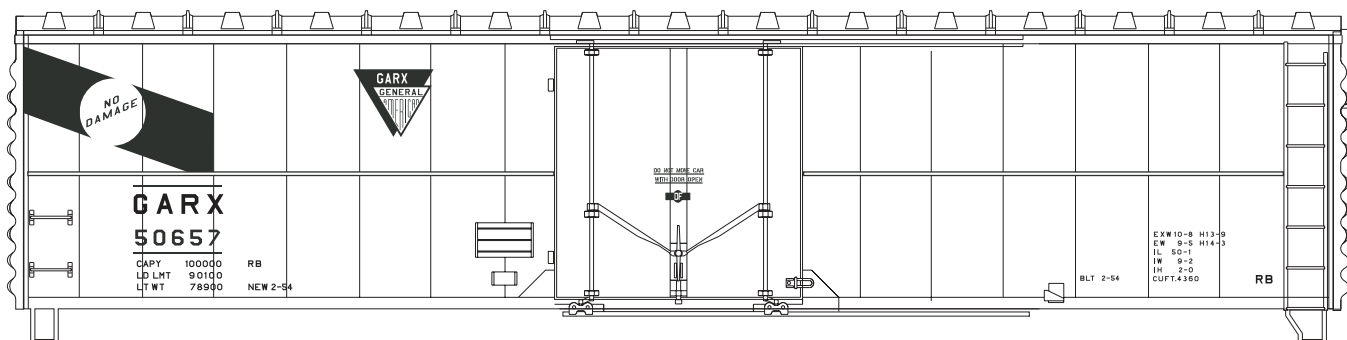


This decal set covers the different builds of GARX Boxcars for the SP, SSW, N&W, Nickel Plate, C&NW, UP, Frisco, MKT (Katy), T&P, and URTX Yellow Schemes from the 50's. The set includes each lessee logo usually displayed on the right hand side of the car. Later in their service life many were repainted in reporting marks only and some were sold outright to CNW Where they lasted well into the 1970's. Be sure to reference photos when decaling this freight car. Each railroad had a subtle spin on their implementation of lettering for this car. Branchline Models produces an accurate car for the lettering depicted. Part # 1800

MICROSCALE Decal
HO Scale 87-1306

Use 87-0002 for additional data



Paint Info.

Body – Floquil, F110033 Railbox Yellow 1 Oz.
Roof – Testors Silver

Photos and data for GARX Boxcars available here:
<http://www.rr-fallenflags.org>
Railmodel Journal Freight Car Models Vol.II Pg.48

For more information
on the Microscale line of model
railroad decals, visit us on-line at:
<http://www.microscale.com>