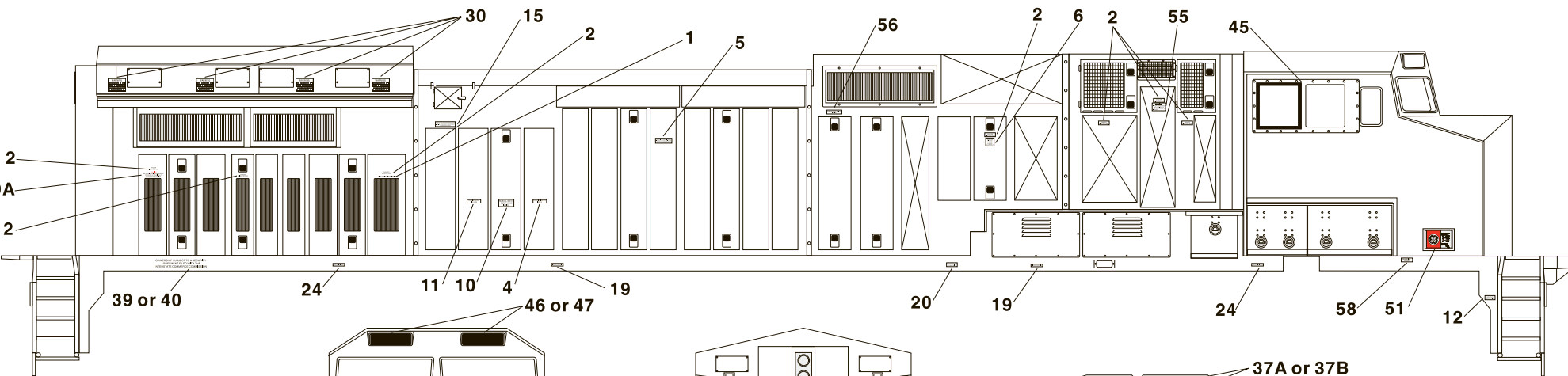
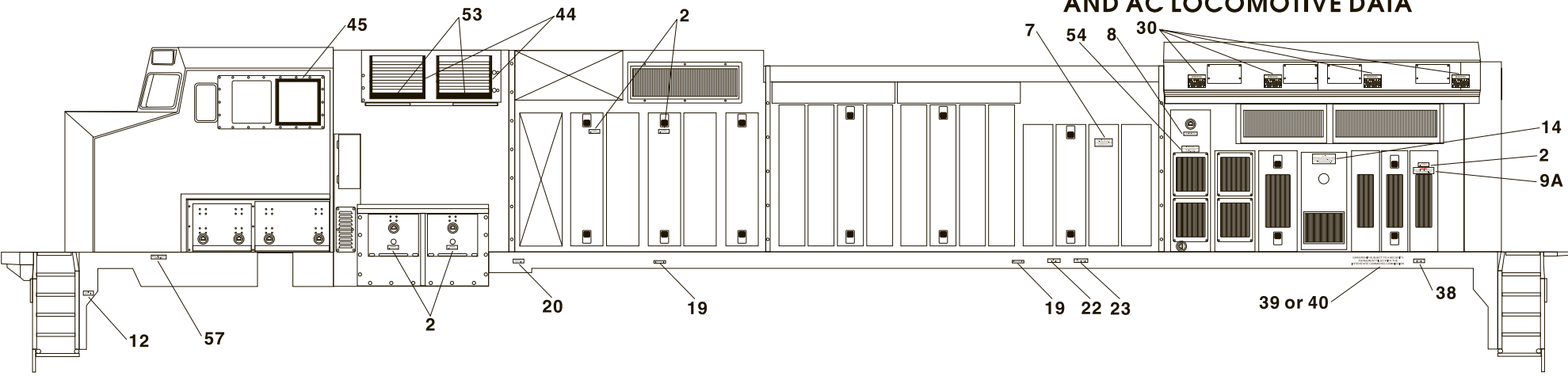


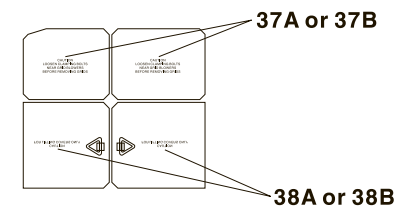
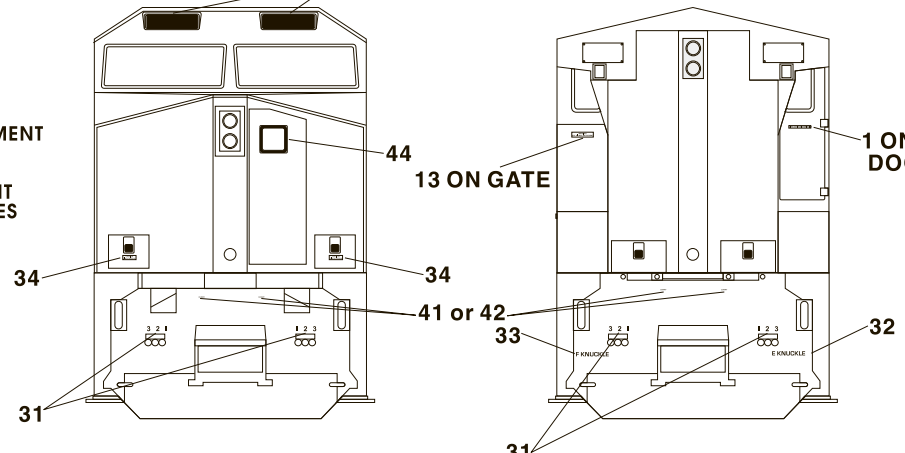
# MICROSCALE DECAL NUMBER 87-925

## DASH-9 44CW

## GENERAL ELECTRIC DASH-9 AND AC LOCOMOTIVE DATA



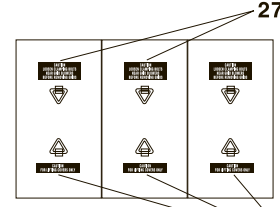
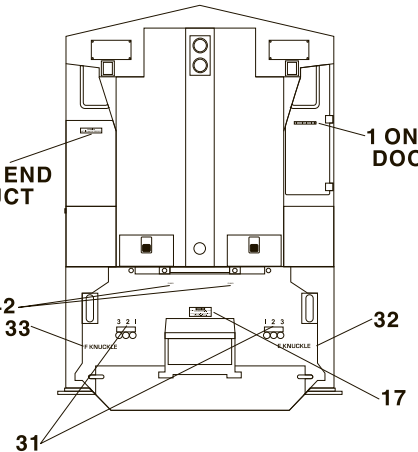
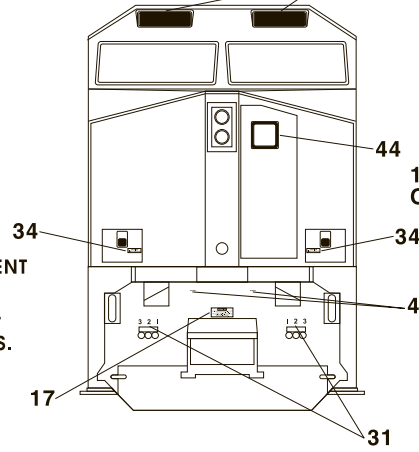
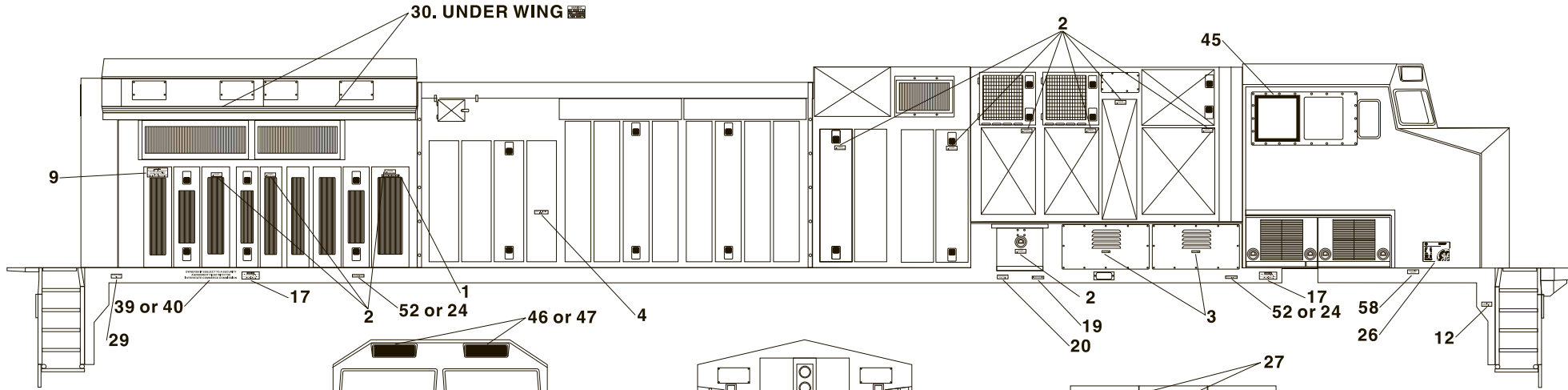
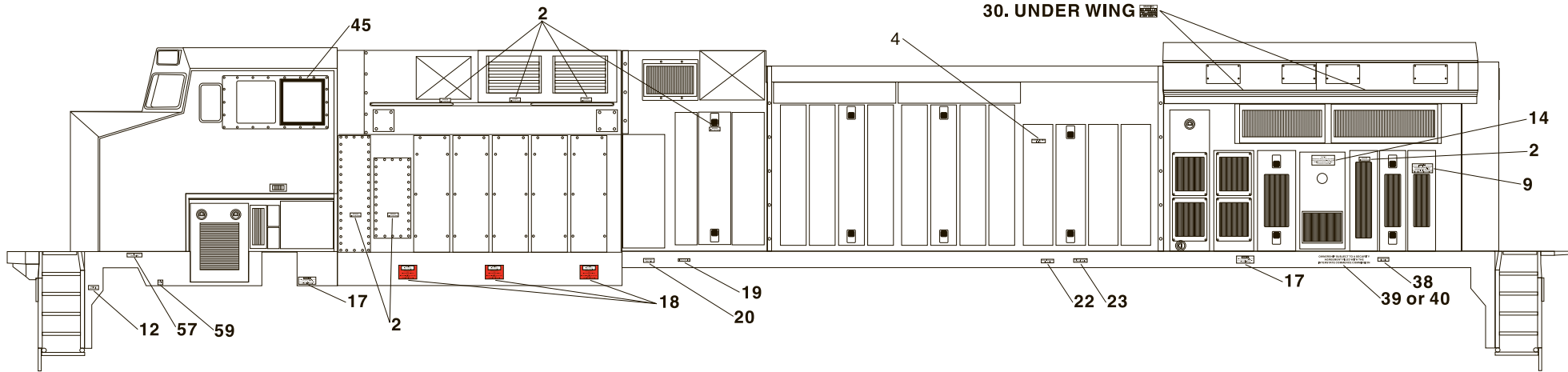
DRAWING SHOWS TYPICAL PLACEMENT  
ON DASH-9 LOCOMOTIVES.  
LABEL PLACEMENT WILL VARY ON  
LOCOMOTIVES BUILT FOR DIFFERENT  
RAILROADS AND AT DIFFERENT TIMES



CONTRIBUTORS  
DAVE HENRY  
JOHN WELTHER  
BRUCE JACOBS  
DEAN CLEMENTS

39 or 40. <sup>85/20</sup> GEAR RATIO, CENTERED ON TRUCK  
SIDE FRAME ABOVE CENTER AXLE.  
36. ELECTRONIC FUEL GAUGE.  
37. FUEL GAUGE.

AC 4400CW



DRAWING SHOWS TYPICAL PLACEMENT ON A LATE 1995 LOCOMOTIVE. LABEL PLACEMENT WILL VARY ON LOCOMOTIVES BUILT FOR DIFFERENT RAILROADS AND AT DIFFERENT TIMES.

- 35. GEAR RATIO, CENTERED ON TRUCK SIDE FRAME ABOVE CENTER AXLE.
- 36. ELECTRONIC FUEL GAUGE.
- 37. FUEL GAUGE.
- 48. WARNING LABEL FOR TOP OF EACH SHOCK ABSORBER