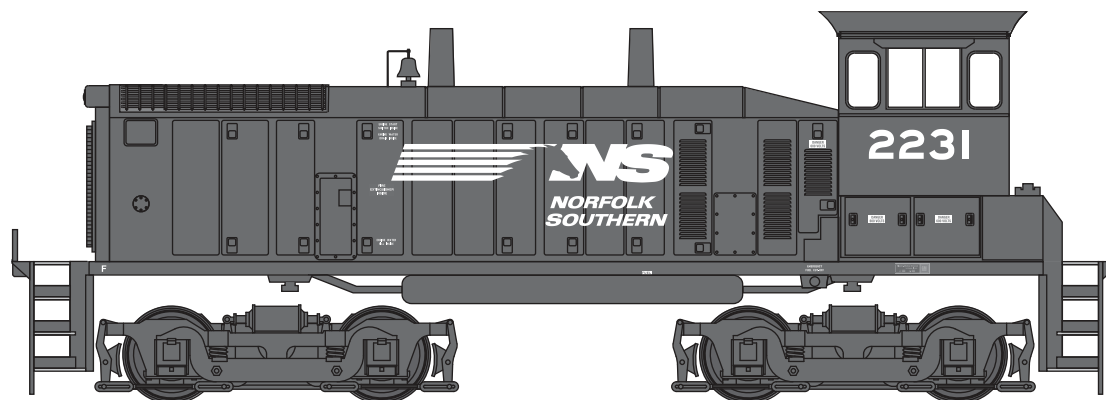
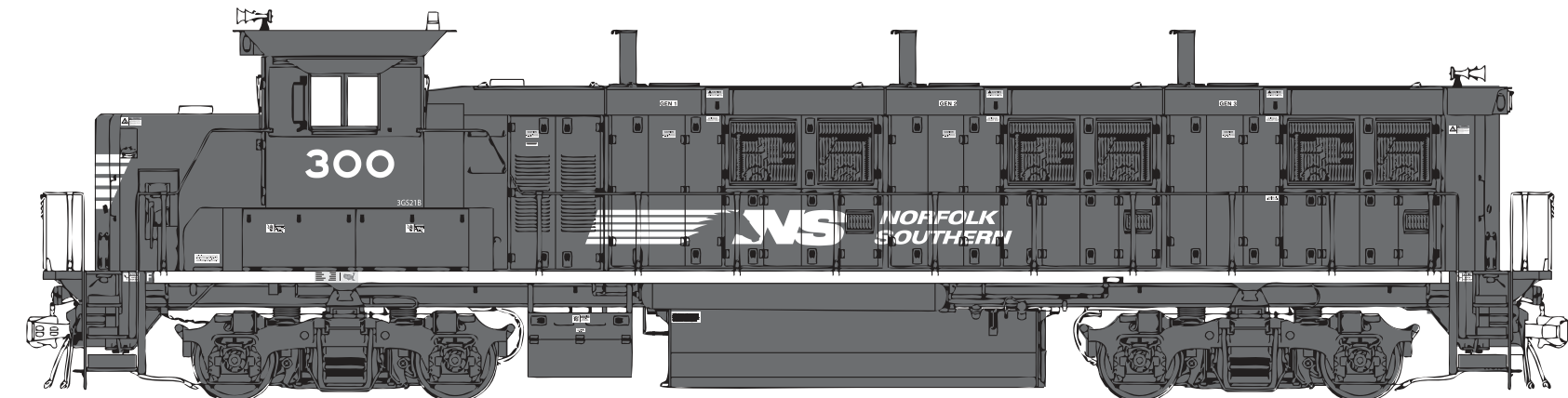


This set will cover Switchers and Fuel Efficient Hood Diesels for the Norfolk Southern. GP59 - GP60, and Progress Rail's PR43C rebuilt SD50 locomotives. There are a few single logos on the decal set. Some of the NS locomotives are a one off such as 4300 and 4611. In order to do these specialty unique schemes, a modeler will need to have two of this sheet to letter both sides. This is due to limited space on the decal sheet. Always consult photos when lettering your locomotives to ensure accuracy.

MICROSCALE Decal
HO Scale 87-1413
N Scale 60-1413

USE WITH: 87-527 (GE and EMD Diesel Data 1989+)



visit us online!
www.microscale.com
sign up for the
monthly newsletter!

Paint Info:
Locomotive Painted Floquil - Engine Black 110010

Photos and data available here:
<http://rrpicturearchives.net/>