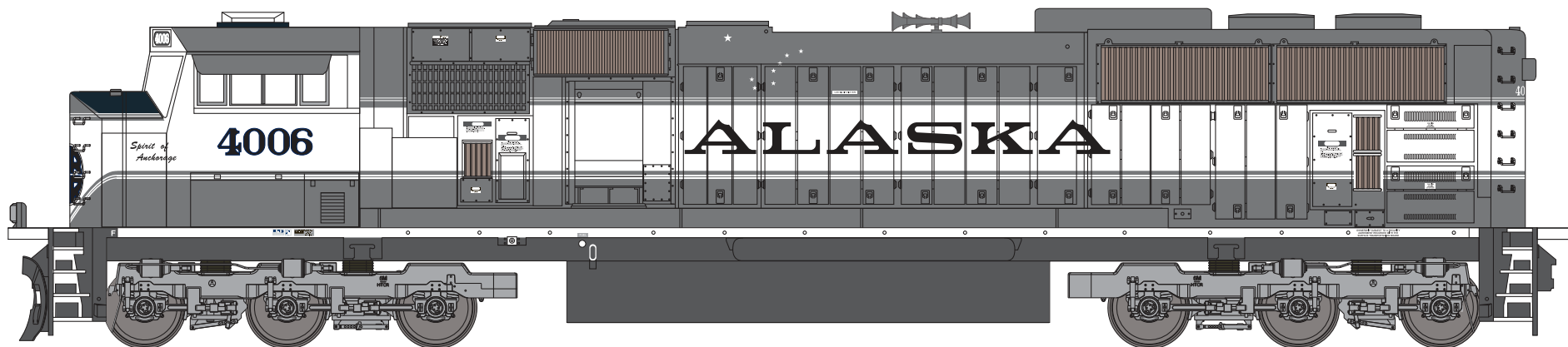


This set will cover a variety of hood Diesels for the Alaska Railroad. The SD70MAC's had constellations right below the exhaust silencer. The orientation varied, see notes below for locomotive names and constellation orientation. Those units that had painted rear numbers are yellow (mostly the MAC's). And the yellow numbers are number board size. The GP40-2's that were rebuilt with HEP have dual rear end yellow numbers. Units with rear number boards are white.

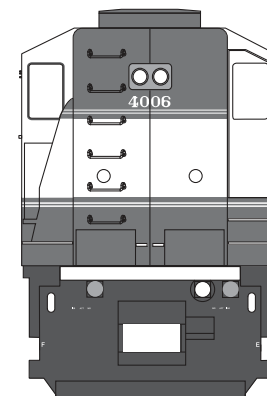
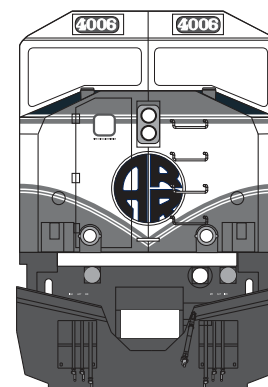
MICROSCALE Decal  
HO Scale 87-1461  
N Scale 60-1461

USE WITH: MC-5016 (SD70ACe) 87-527 (GE and EMD Diesel Data 1989+)



- 4001 - Spirit of Alaska
- 4002 - Spirit of Seward
- 4003 - Spirit of Moose Pass
- 4004 - Spirit of Whittier
- 4005 - Spirit of Girdwood
- 4006 - Spirit of Anchorage
- 4007 - Spirit of Palmer
- 4008 - Spirit of Wasilla
- 4009 - Spirit of Talkeetna
- 4010 - Spirit of Cantwell
- 4011 - Spirit of Denali
- 4012 - Spirit of Healy
- 4013 - Spirit of Nenana
- 4014 - Spirit of Fairbanks
- 4015 - Spirit of North Pole
- 4016 - Spirit of Delta Junction

- Handle backwards
- Handle correct
- Handle correct
- Handle correct
- Handle backwards
- Handle backwards
- Handle backwards
- Handle backwards
- Handle backwards
- Handle backwards
- Handle backwards
- Handle backwards
- Handle backwards
- Handle backwards
- Handle backwards
- Handle backwards



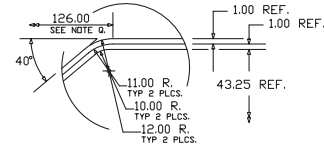
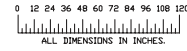
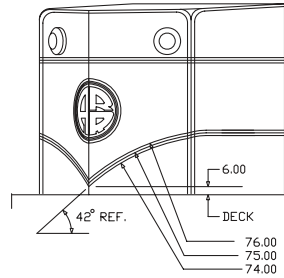
visit us online!  
[www.microscale.com](http://www.microscale.com)  
sign up for the  
monthly newsletter!

**Paint Info:**  
Cab and Long Hood Painted Testors - Flat Sea Blue 1172  
Yellow Stripe and Cab Face Painted Model Masters - Turn Signal Amber 2723  
Trucks Painted Testors - Silver 1146  
Tank, Underframe Painted Testors - Black 1139

**Photos and data available here:**  
<http://rrpicturearchives.net/>  
**Contributor:**  
Curt Fortenberry

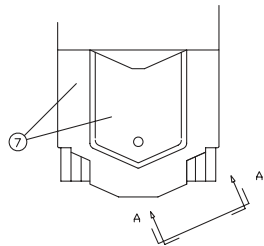
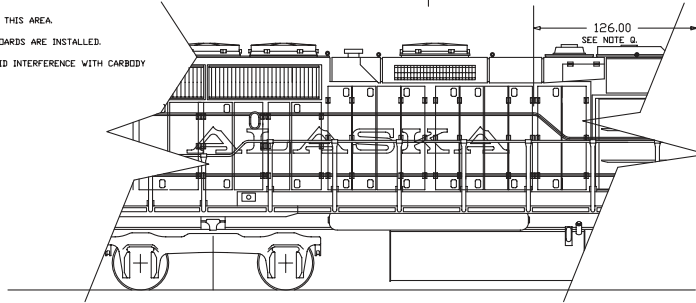
NOTES:

- A. PAINT CARBODY WITH IT. 1 (BLUE) AND STRIPE WITH IT. 2 (YELLOW) AS SHOWN IN ELEVATION VIEWS.
- B. PAINT INTERIOR OF CAB WITH IT. 6 (BEIGE).
- C. PAINT INTERIOR OF LONG AND SHORT HOODS WITH IT. 5 (SUEDE GRAY).
- D. PAINT ALL GRAB IRONS, CUT LEVERS AND HANDRAILS WITH IT. 2 (YELLOW) EXCEPT:  
1. GRAB IRONS LOCATED ENTIRELY WITHIN THE YELLOW STRIPE ARE TO BE PAINTED WITH IT. 1 (BLUE).  
2. GRAB IRON FEET MAY BE PAINTED SAME AS BACKGROUND COLOR.
- E. PAINT ALL STANCHIONS WITH IT. 1 (BLUE).
- F. PAINT FUEL FILLER SPOUTS & SIGHT GLASS HOUSINGS W/ IT. 6 (RED).
- G. PAINT STRIPES ACROSS SIGHT GLASS TO INDICATE FULL LEVELS: BLUE WINTER, YELLOW SUMMER.
- H. PAINT UNDERFRAME (BEHIND SIDE SILLS) WITH IT. 4 (BLACK).
- I. PAINT RESERVOIRS AND FUEL TANK WITH IT. 3 (POLY BLACK).
- J. PAINT TRUCKS WITH IT. 9 (ALUMINUM). **DO NOT PAINT WHEELS.**
- K. PAINT WALKWAYS, STEP TREADS, FRONT AND REAR PLATFORMS AND ROOF OF LONG AND SHORT HOODS WITH IT. 7 (NON-SKID). BREAK LINE ON ROOF IS END OF FLAT SURFACE (START OF CORNER RADIUS).
- L. PAINT MU RECEPTACLES WITH IT. 2 (YELLOW).
- M. DO NOT PAINT WHEELS, COUPLERS, CHAINS OR NON-FERROUS PARTS.
- N. PAINT HAND BRAKE AND ALCOVE WITH IT. 1 (BLUE) - NO YELLOW STRIPING IN THIS AREA.
- P. IT. 11 (SIX INCH NUMERALS) REQUIRED ONLY WHERE NO ILLUMINATED NUMBER BOARDS ARE INSTALLED.
- Q. ADJUST THIS DIMENSION AS REQUIRED UP TO 3" IN EITHER DIRECTION TO AVOID INTERFERENCE WITH CARBODY DETAILS.
- R. CENTER IT. 10 (ROAD NUMBER) ON 25" YELLOW STRIPE.
- S. PAINT FRONT FACE OF STEP TREADS WITH IT. 2 (YELLOW).

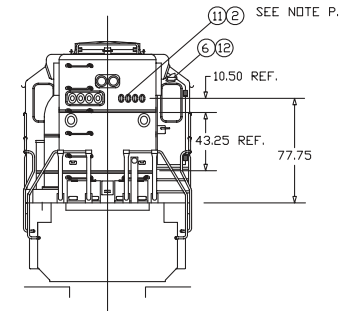
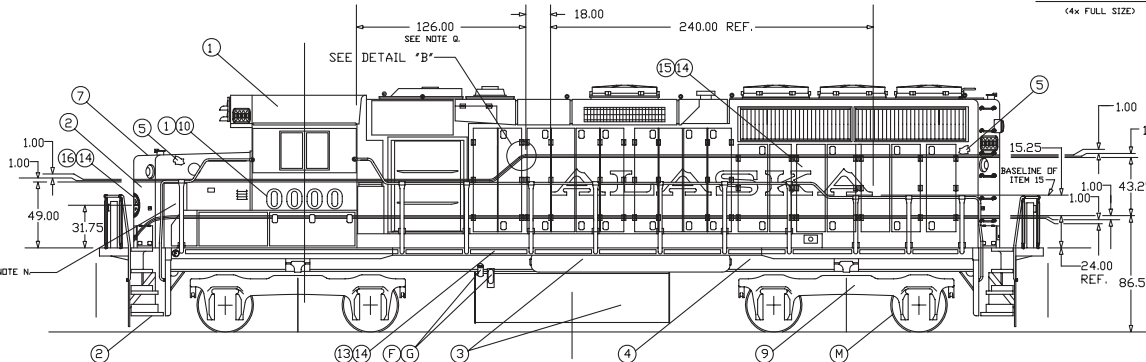


VIEW "A"  
2 X SIZE

DETAIL "B"  
4 X SIZE



DETAIL OF ITEM 15  
(4x FULL SIZE)



BILL OF MATERIALS

IT.	DESCRIPTION	REMARKS	QUANTITY/UNIT
1	BLUE PAINT	POLYURETHANE	7 GAL.
2	YELLOW PAINT	POLYURETHANE	5 GAL.
3	BLACK PAINT	POLYURETHANE	5 GAL.
4	BLACK PAINT	ALKYD ENAMEL	2 GAL.
5	SUEDE GRAY PAINT	ALKYD ENAMEL	10 GAL.
6	BEIGE PAINT	ALKYD ENAMEL	12 GAL.
7	BLACK NON-SKID	FLAT FINISH	2 GAL.
8	RED PAINT	ALKED ENAMEL	1/2 PT.
9	ALUMINUM PAINT	ENAMEL	4 GAL.
10	NUMERALS, 15"	EMD 9555057	2 SETS
11	NUMERALS, 6"	EMD 9555058	SEE NOTE P.
12	NUMERALS, 3"	EMD 9335724 OR APPROVED ALTERNATE	1 SET
13	DIAMOND GRADE SCOTCH-LITE (3-M CORP.) - 3" WIDE YELLOW		98 FT.
14	CLEAR LAQUER		A/R
15	"ALASKA" LETTERING	18" NOMINAL HEIGHT	2 EA.
16	"ARR" 24" DIA. ROUNDEL	DECAL SUPPLIED BY ARR	1 EA.
17	CLEAR COAT	ALL SURFACES PAINTED WITH ITS 1, 2 OR 3	15 GAL.

NOTE: "A'S EXCEED BASIC HEIGHT BY 1.56"

18.00

IR OF STRIPE IS 74"

SEE NOTE N.

BASELINE OF ITEM 17

SEE NOTE P.